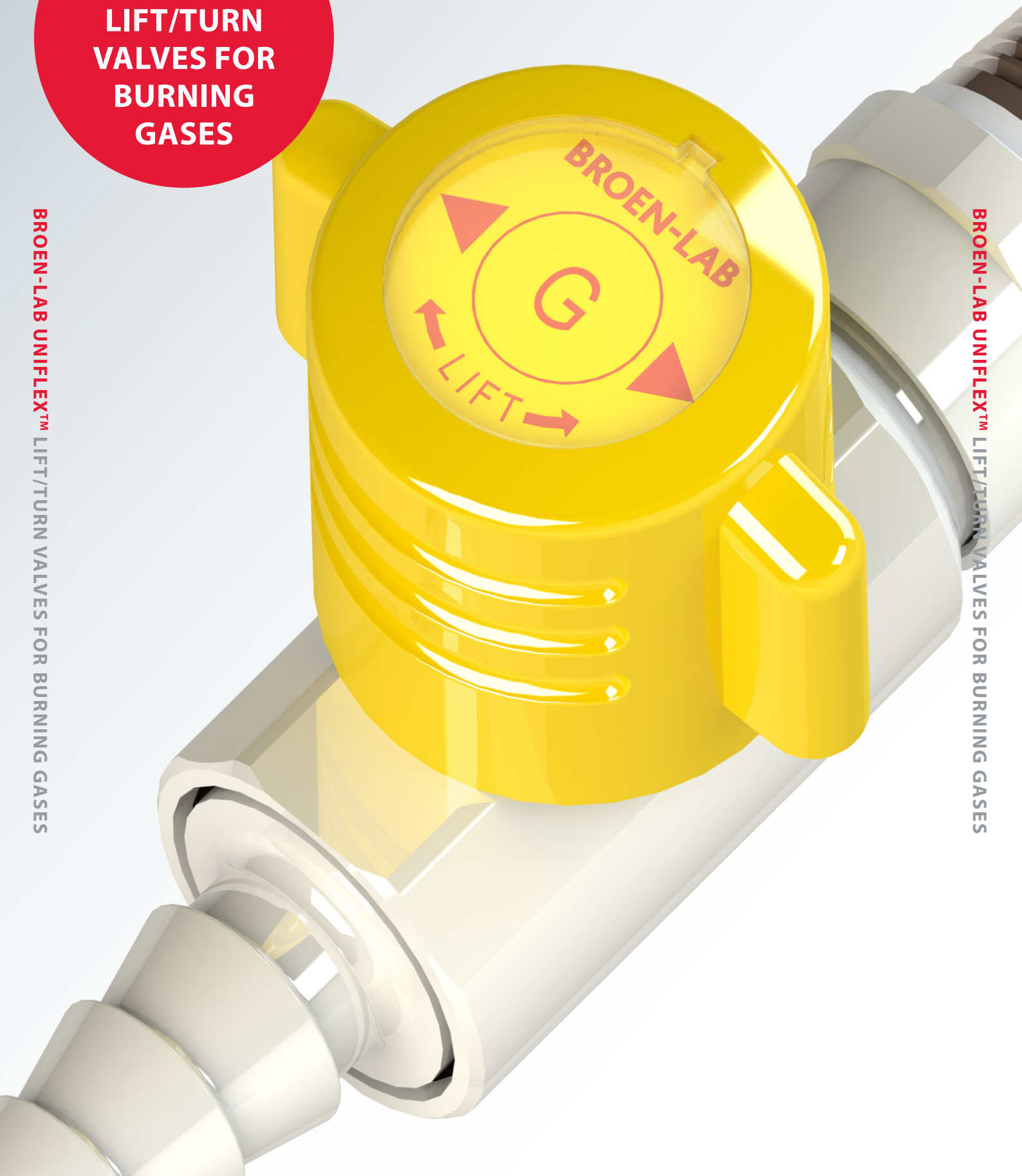


**BROEN-LAB
UNIFLEX™
LIFT/TURN
VALVES FOR
BURNING
GASES**

BROEN-LAB UNIFLEX™ LIFT/TURN VALVES FOR BURNING GASES

BROEN-LAB UNIFLEX™ LIFT/TURN VALVES FOR BURNING GASES



BROEN-LAB

BROEN-LAB UNIFLEX™

Lift/Turn Valves for Burning Gases

GENERAL INFORMATION

Materials

BROEN-LAB UniFlex™ Lift/Turn fittings are manufactured of the highest quality materials, primarily brass. The surfaces of all fittings are finished in the chemically resistant BROEN-LAB POLYCOAT.

Installation and technical tables

Special requirements of your local Gas board should be checked before commencing installation. All pipe work should be purged to ensure cleanliness before fitting.

Special advantages

The laboratory fittings from BROEN-LAB are designed and manufactured with the requirements of a modern laboratory in mind.

The hallmarks of these fittings are good performance, durability, easy operation,

flexibility and streamlined design, along with an easy-to-clean and attractive appearance.

Fittings from BROEN-LAB are ideal for all types of laboratories, and are delivered with easy-to-mount fixing items/mounting kit, that will keep the fitting fully locked in its position when installed. Consequently, the fitting will not turn unintentionally, which would result in leaks.

Pressure conversion			
	bar	Pa	psi
1 bar =	1	1x10 ⁵	14.5
1 Pa =	1x10 ⁻⁵	1	1.45x10 ⁻⁴
1 psi =	6.9x10 ⁻²	6.9x10 ³	1

Example: 67 psi = 67x(6.9x10⁻²) = 4.6 bar

HEADWORK

Valves for burning gases with Lift/Turn safety handles.

The valves are based on a BALLOFIX® ball valve.

Opening/closing function
90° Lift/Turn.

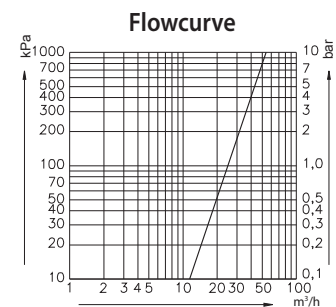


The valves for burning gases can be used for natural (G), liquefied petrol (LPG), town and low pressure bottle gases as well as vacuum, compressed air and nitrogen.

Maximum working pressures:		
kPa	bar	psi
700	7	100

Pressure in relation to atmospheric pressure.

Allowable pressure test after installation: 1.5 x max. working pressure without function of the valve.



HANDLES

Options and media indication

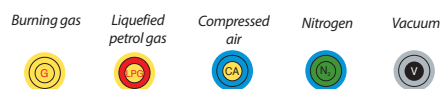


Standard Lift/Turn safety handle



Disability friendly handle for Lift/Turn fittings (available on request)

BROEN-LAB UniFlex™ Lift/Turn fittings are delivered with handles having media indication according to EN13792.



TECHNICAL INFORMATION

Specification

Outlet Connections: Quick release coupling or fixed serrated nozzles suitable for 8 mm to 13 mm ID rubber tubing.

Inlet Connections: Please refer to section with inlet connections.

Construction: Brass body.

Seals: Nitrile.

Lubricant: Mineral oil based

Testing

All fittings are tested and inspected before dispatch.

Maximum design test pressure: 1000 kPa (10 bar).

Maximum design working pressure: 700 kPa (7 bar).

BROEN-LAB UNIFLEX™ INTERNATIONAL APPROVALS

BROEN-LAB UniFlex™ Lift/Turn fittings and flexible connections for hoses and Cu-pipes are approved by leading gas institutes in UK,

Germany, Holland and Denmark.

For more approvals please contact your BROEN-LAB representative.



Please refer to our web site www.BROEN-LAB.com for the latest product development news.

No. 2520.317.1010-14

Burning Gas Lift/Turn

Bench mounted

Single Lift/Turn gas fitting.

Alternative media identification:

LPG: 2520.317.1012-14

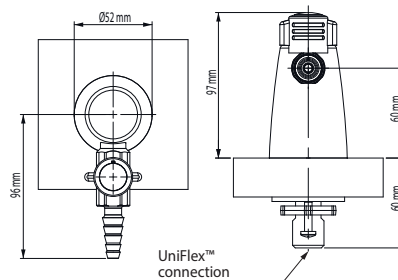
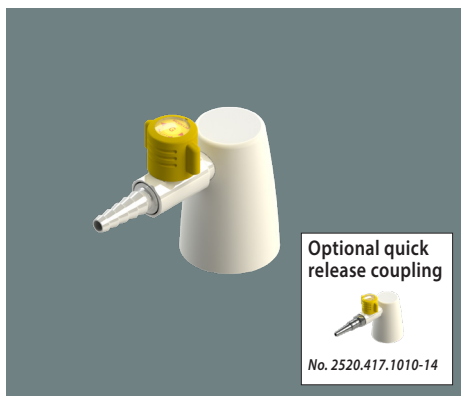
Also available for non-burning gases:

CA: 2520.317.1038-14

V: 2520.317.1041-14

N₂: 2520.317.1044-14

Weight: Approx. 0.7 kg



No. 2520.319.1010-14

Burning Gas Lift/Turn

Bench mounted

Two-way Lift/Turn gas fitting 180°.

Alternative media identification:

LPG: 2520.319.1012-14

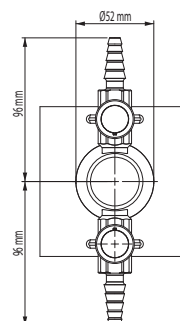
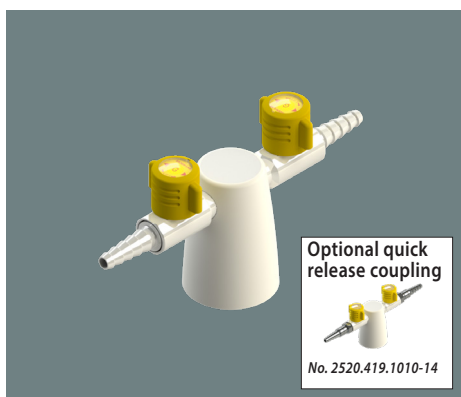
Also available for non-burning gases:

CA: 2520.319.1038-14

V: 2520.319.1041-14

N₂: 2520.319.1044-14

Weight: Approx. 0.8 kg



No. 2520.318.1010-14

Burning Gas Lift/Turn

Bench mounted

Two-way Lift/Turn gas fitting 90°.

Alternative media identification:

LPG: 2520.318.1012-14

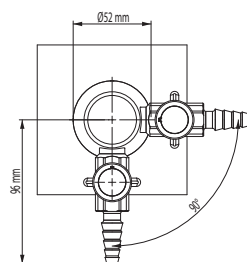
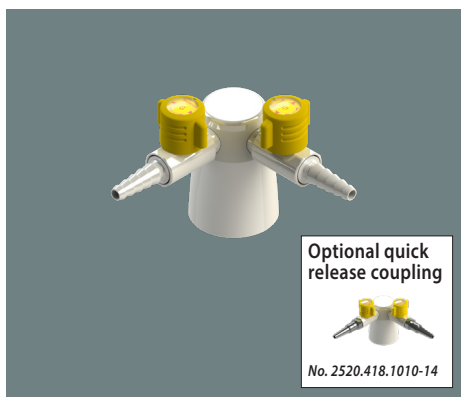
Also available for non-burning gases:

CA: 2520.318.1038-14

V: 2520.318.1041-14

N₂: 2520.318.1044-14

Weight: Approx. 0.8 kg



No. 2520.320.1010-14

Burning Gas Lift/Turn

Bench mounted

Four-way Lift/Turn gas fitting.

Alternative media identification:

LPG: 2520.320.1012-14

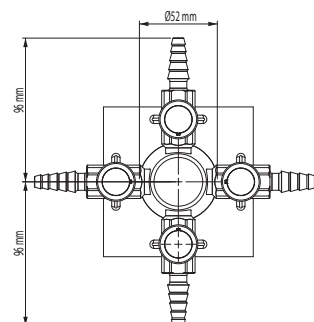
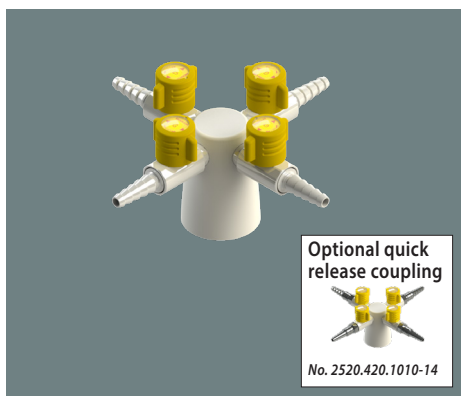
Also available for non-burning gases:

CA: 2520.320.1038-14

V: 2520.320.1041-14

N₂: 2520.320.1044-14

Weight: Approx. 1.1 kg



BROEN-LAB UNIFLEX™

Lift/Turn Valves for Burning Gases

BROEN-LAB UNIFLEX™ LIFT/TURN VALVES FOR BURNING GASES

No. 2520.397.1010

Burning Gas Lift/Turn

Wall/suspended mounted

Lift/Turn gas valve.

Alternative media identification:

LPG: 2520.397.1012

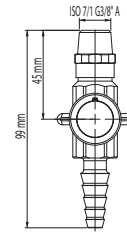
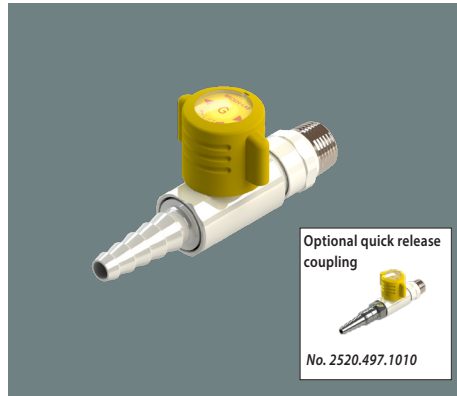
Also available for non-burning gases:

CA: 2520.397.1038

V: 2520.397.1041

N₂: 2520.397.1044

Weight: Approx. 0.1 kg



No. 2520.722.1010-14

Burning Gas Lift/Turn

Wall/suspended mounted

Lift/Turn gas fitting.

Alternative media identification:

LPG: 2520.722.1012-14

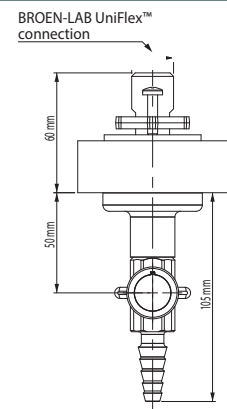
Also available for non-burning gases:

CA: 2520.722.1038-14

V: 2520.722.1041-14

N₂: 2520.722.1044-14

Weight: Approx. 0.7 kg



No. 2520.116.1010-14

Burning Gas Lift/Turn

Wall/suspended mounted

Two-way Lift/Turn gas fitting 90°.

Alternative media identification:

LPG: 2520.116.1012-14

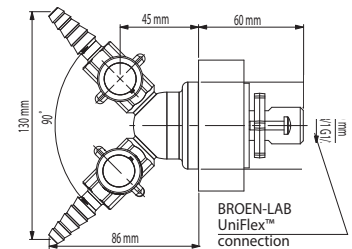
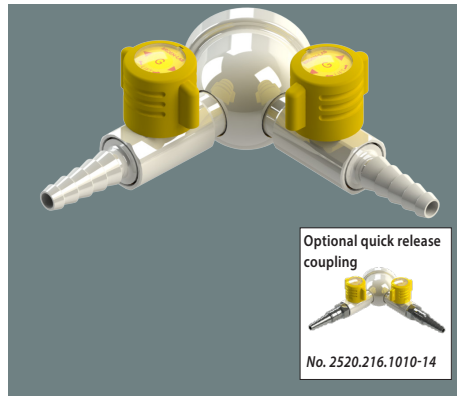
Also available for non-burning gases:

CA: 2520.116.1038-14

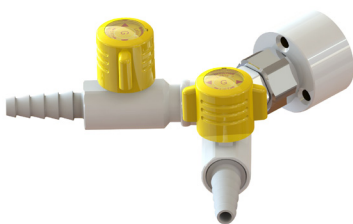
V: 2520.116.1041-14

N₂: 2520.116.1044-14

Weight: Approx. 1.2 kg



Additional products with Lift/Turn fittings



Two-way Lift/Turn gas fitting 90° for exposed mounting



Multimedia fittings



Multimedia fittings

For more information please contact your local BROEN-LAB sales representative.

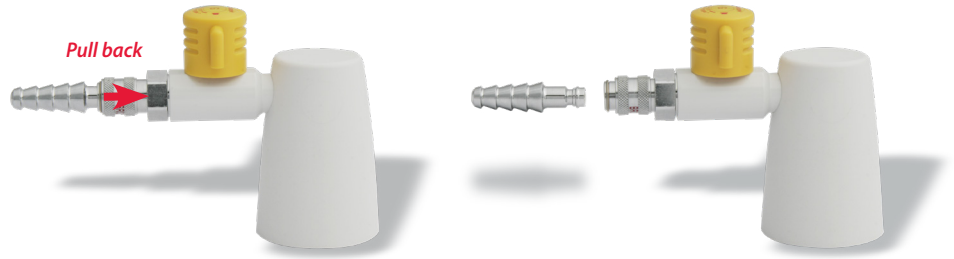
BROEN-LAB UNIFLEX™

Outlet and Inlet Connections

QUICK RELEASE COUPLING

In order to release the nozzle you have to pull back the sleeve of the coupling.

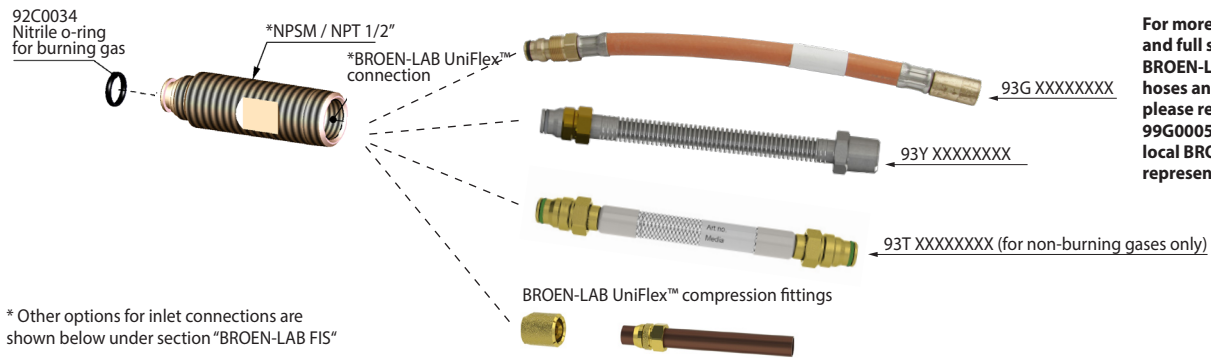
When the nozzle is removed, the coupling is closed regardless of the position of the valve handle.



BROEN-LAB UniFlex™ Lift/Turn fitting can be delivered with a non-return valve (check valve) on the outlet. Please contact your local BROEN-LAB sales representative for more information.

INLET CONNECTIONS

Standard BROEN-LAB UniFlex™ - Flexible connections for hoses and Cu-pipes



For more information and full specification of BROEN-LAB UniFlex™ hoses and flexible pipes please request document 99G0005 or contact your local BROEN-LAB sales representative.

* Other options for inlet connections are shown below under section "BROEN-LAB FIS"

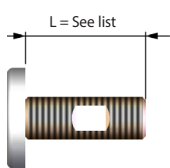
BROEN-LAB UniFlex™ Compression Fittings



Connection: 3/8" pipe	Connection: Ø8mm pipe	Connection: Ø10mm pipe	Connection: Ø12mm pipe	Connection: Ø15mm pipe
Order no.: 15 215 120	Order no.: 15 215 170	Order no.: 15 215 220	Order no.: 15 215 300	Order no.: 15 212 350

Support bush					
- recommended for soft & medium hard copper					
3/8"	ø8x1mm	ø10x0.8mm	ø10x1mm	ø12mm	ø15mm
152 1139	044.093 008	044.093 010	044.093 110	044.093 012	044.093 015

BROEN-LAB FIS (Flexible Inlet System)



Lenght / L	Standard length						
	L = 30mm	L = 45mm	L = 60mm	L = 80mm	L = 90mm	L = 120mm	L = 150mm
1) Standard connection (External: 1/2" ISO 7/1-R Internal: BROEN-LAB UniFlex™)	Code 05	Code 32	Code 14	Code 33	Code 18	Code 34	Code 35
2) Optional connection (External: NPT 3/8" Internal: Ø8mm hole)	Code 03	Code 07	Code 10	Code 28	Code 29	Code 30	Code 31

Please refer to our web site www.BROEN-LAB.com for the latest product development news.

NOTES

A series of horizontal lines for taking notes.

BROEN-LAB develops, manufactures and sells Laboratory Fittings, Emergency Shower Systems and Eye Wash Systems into a broad spectrum of laboratories and industrial locations; sectors include Pharmaceutical, Food&Beverage and Academia. Our expertise and product quality ensure optimal solutions compliant to all relevant international norms setting new standards in risk mitigation in modern research and development facilities.

BROEN-LAB offer solutions that ensure the functionality, compliance, hygiene, durability and safety are of the highest priority. For over 50 years our products have been integrated into a wide variety of workplaces, laboratories, hospitals and industrial locations, with features that are assessed and designed to be flexible, durable and compliant offering a broad range of options tailored to each location. This inherent design integrity provides confidence in the solution adopted wherever in the world these are applied.

BROEN-LAB is a collaboration partner in the design and layout of your next laboratory and it's integrated safety solutions.

HEAD OFFICE

BROEN-LAB A/S

Drejervaenget 2 • DK-5610 Assens
Denmark

Tel.: +45 6376 6376 • Fax +45 6471 2476

E-mail: lab@broen.com



BROEN-LAB A/S ISO 9001 certification

In September 1991 BROEN-LAB A/S was certified according to ISO 9001 as one of the first Danish companies. The certification was carried out by Bureau Veritas, Denmark, for our Danish site in Assens. The quality management system of BROEN-LAB A/S now complies with detailed specifications laid down by the internationally acknowledged EN ISO 9001:2015. This certification will further contribute to reputation for quality and reliability of BROEN-LAB A/S.

INTERNATIONAL OFFICES

BROEN-LAB Ltd

Tel. +44 121 522 4515

E-mail: lab@broen-lab.com

BROEN-LAB Singapore Pte. Ltd.

25 International Business Park #04-60A German Centre
Singapore 609916

Tel. +65 6298 0662 • Fax +65 6298 0468

E-mail: lab@broen-lab.com

BROEN-LAB GmbH

Tel.: +45 6376 6376 • Fax +45 6471 2476

E-mail: lab@broen-lab.com

BROEN-LAB Sverige AB

Tel.: +45 6376 6376 • Fax +45 6471 2476

E-mail: lab@broen-lab.com

BROEN-LAB Inc.

15 Constitution Drive Suite 122
Bedford • NH 03110 • USA

Tel.: +1 603 310 5089

E-mail: lab@broen-lab.com

www.BROEN-LAB.com

BROEN-LAB